



DALI CDC

Datasheet

Circadian Daylight Control Device

DALI Control Device for automatic
Tc-adjustment of tunable white
luminaires

Art. Nr. 89453853

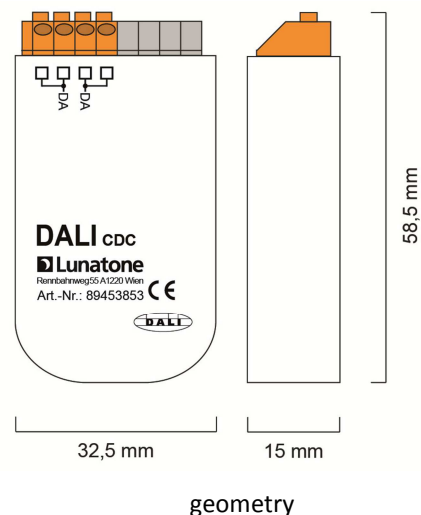
DALI CDC Circadian Daylight Control Device

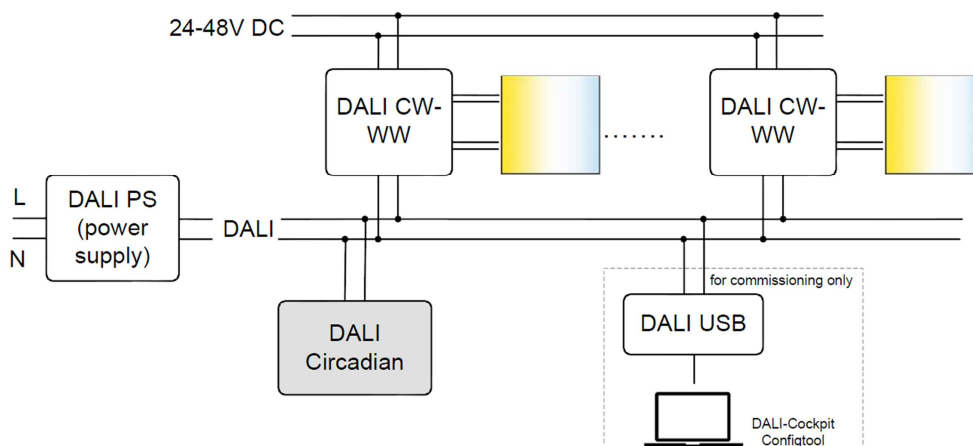
Overview

- Control device for DALI DT8 luminaires (color mode Tc)
- biorythmic time-adjusted Tc reference value
- DALI real time clock
- daylight saving time (DST)
- configurable scene behaviour (up from firmware version 1.5)
- the clock and the Tc characteristics over time can be configured with the help of the DALI Cockpit software tool
- The DALI CDC module must not be connected to the mains. It is supplied directly via the DALI signal line.
- Battery inside, clock is set to local time (GMT+1) as factory default
- Simple installation due to DALI double-clamp connector

Specification, Characteristics

| type | DALI CDC |
|-------------------------------|-------------------------|
| article number | 89453853 |
| power supply | via DALI signal line |
| typ. current consumption | 5 mA |
| input/output | DALI |
| RTC | quarz based |
| operating temperature | 0°C-50°C |
| Storage temperature | -20°C-70°C |
| protection class | IP20 |
| geometry | 59mm x 33mm x 15mm |
| connecting wire cross section | 0.5-1.5 mm ² |





typical application

Installation

The DALI CDC is connected to the DALI-line. It is powered like all DALI modules directly by a DALI PS via the DALI signal line. A typical value of the DALI CDC current consumption is 5 mA.

The connection to the DALI-line is polarity free and protected against overvoltage of up to 270Vac.

The compact DALI CDC can easily be installed in back boxes.

Addressing and Configuration

The DALI CDC can be used immediately. The RTC time is set to local time in production. The default effective range is broadcast.

For changing the default configuration the DALI-Cockpit software tool can communicate with the DALI CDC. The DALI-Cockpit software is a configuration tool for DALI systems. Hence standard DALI ballasts can be addressed and configured as well as the DALI CDC.

Once detected by the DALI Cockpit the time can be set and the Tc-setpoint for each hour can be adjusted.

DALI Cockpit and DALI USB interface are required for commissioning only.

Function

Each minute the DALI CDC module sends the Tc-value to the effective range. As effective range a single address, group address or broadcast can be used.

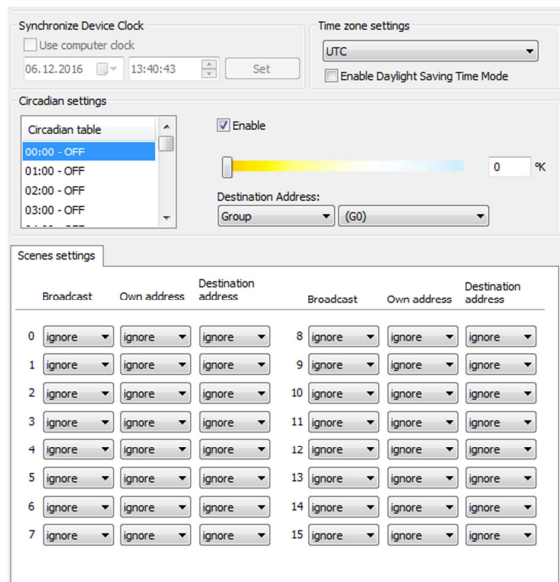
The Tc characteristic is based on the 24 set points (one for each hour). Between the set points the value is interpolated.

set point table (factory preset):

| Time | Tc[K] | Time | Tc[K] |
|------|-------|------|-------|
| 0h | 2700K | 12h | 5800K |
| 1h | 2700K | 13h | 5685K |
| 2h | 2700K | 14h | 5318K |
| 3h | 2700K | 15h | 4767K |
| 4h | 2700K | 16h | 4101K |
| 5h | 2700K | 17h | 3412K |
| 6h | 2700K | 18h | 2700K |
| 7h | 3412K | 19h | 2700K |
| 8h | 4101K | 20h | 2700K |
| 9h | 4767K | 21h | 2700K |
| 10h | 5318K | 22h | 2700K |
| 11h | 5685K | 23h | 2700K |

Up from firmwareversion 1.5 the reaction on a GOTO SCENE X command can be configured.

The DALI CDC can be activated and deactivated by a scene recall or the command can just be ignored. The scen behaviour can be set up separately for the device address, the effective range and broadcast.



Date and time can be read using QUERY SCENE cmds:

QUERY SCENE 0 LEVEL: seconds

QUERY SCENE 1 LEVEL: minutes

QUERY SCENE 2 LEVEL: hours

QUERY SCENE 3 LEVEL: day of month

QUERY SCENE 4 LEVEL: month

QUERY SCENE 5 LEVEL: year-2000

Purchase Information

ArtNr. 89453853: DALI CDC, DALI control device for automatic adjustment of tunable light luminaires

Additional Information and Equipment

DALI-Cockpit – free configuration tool from Lunatone for DALI systems

<http://lunatone.at/en/downloads/Lunatone-DALI-Cockpit.zip>

Lunatone DALI products

<http://www.lunatone.at/en/>

Lunatone datasheets and manuals

<http://lunatone.at/en/downloads/>

Contact

Technical Support: support@lunatone.com

Requests: sales@lunatone.com

www.lunatone.com



Disclaimer

Subject to change. Information provided without guarantee. The datasheet refers to the current delivery.

The compatibility with other devices must be tested in advance to the installation.